

Orbita Lithium Batteries

Extended Battery Life

All battery operated SPARTA winders are fitted with high-energy, factory installed, LITHIUM batteries that provide several years of battery life. In addition, each SPARTA winder carries an iron-clad 2-year product guarantee.

Replacement

When the time comes to replace the Lithium batteries in your SPARTA winder, you may purchase replacements directly from us. You may also purchase them locally. Should you purchase locally, be sure to change all batteries at the same time with new batteries of the same brand.

Customer Support

Need a different size cushion? We have smaller and larger size cushions available for purchase direct from our website at store.orbita.com, or call our toll free number (below) and we will be happy to assist you.

Online

www.orbita.com

Email

info@orbita.com

Phone / Fax

910-256-5300 / 910-256-5356



Made in USA

Toll Free

800-800-4436



6740 Netherlands Dr.

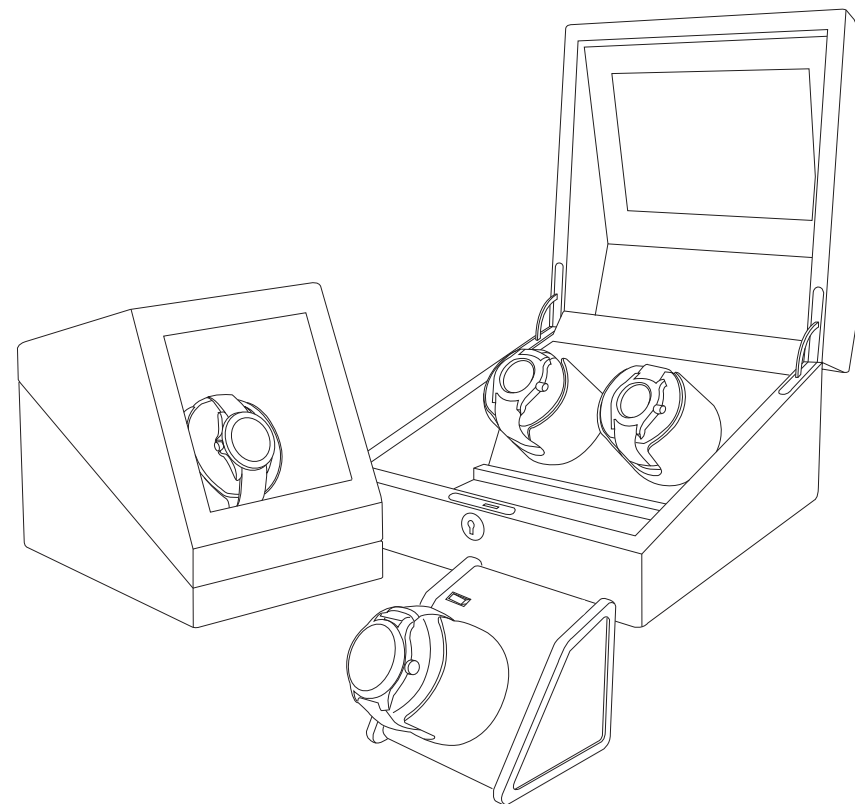
Unit D

Wilmington, NC 28405

www.orbita.com

ORBITA®

WATCHWINDERS



ROTORWIND® WATCHWINDERS

INSTRUCTION GUIDE

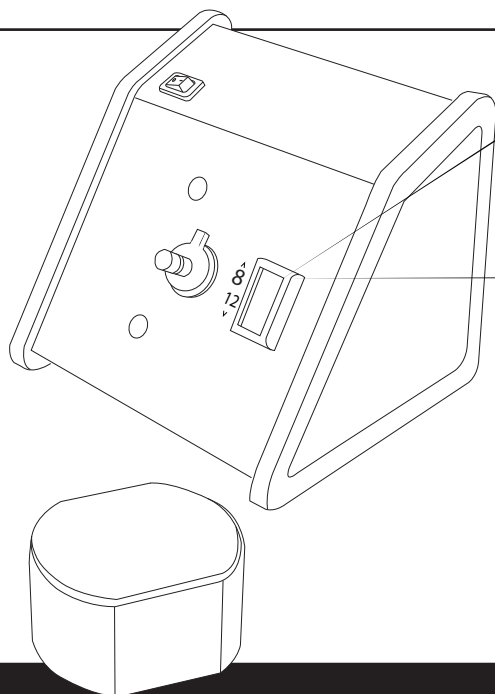
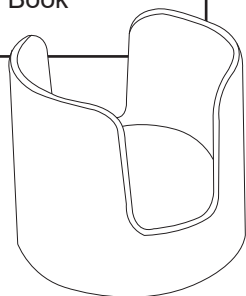
Sparta 1 Open Lithium / Sparta 1 Deluxe Lithium

Congratulations!

This user guide will help take you through the initial set up and programming of your new watch winder. Your winder is factory-fitted with ORBITA Lithium "D" cell batteries which provide years of battery life at the normal 8-minute winding cycle. Even longer life may be accomplished using the 12-minute mode depending upon the watch's winding characteristics. If you purchased the Deluxe or Executive model, your winder is totally enclosed in a suede-lined wood case with a balanced lift-up top to facilitate watch mounting and provides complete protection for your valuable watches

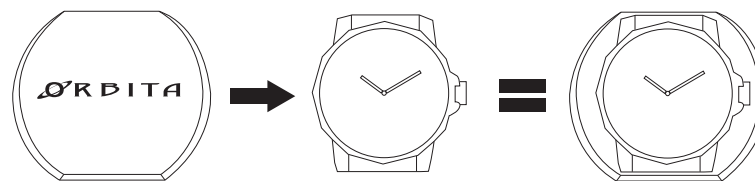
Included In This Box

1. Watchwinder
2. Cup Assembly(s)
3. Standard Cushion(s)
4. Lithium Batteries
5. Warranty Registration
6. Instruction Book



Mounting Watch on Cushion

1. With the bracelet or strap of the watch **closed**, squeeze and slide the cushion through the watch. The back of the watch should rest against the Orbita logo and the strap should lie on the flat portion of the cushion .



8/12 Minute Switch

A program switch allows you to select one of two winding cycles: 8-minute or 12-minute. The winding cycle begins every 8 or 12 minutes based on the program selected. To select the program, remove the mounted cup assembly to reveal the program switch opening. Insert a small object (screwdriver, pencil, etc.) into the opening and slide the switch to the desired setting. The 8-minute program offers a range of 1200-1300 turns per day (TPD) in each direction, while the 12-minute program provides a range of 800-900 TPD. The factory preset position is the 8-minute setting.

Getting Started

Turning Power On

1. Remove the mounting cup and cushion.
2. Remove protective foam behind mounting cup(s).
3. Remove protective film over on/off switch(es).
4. Select 8 or 12 minute setting. (Details on Next Page)
5. Mount watch on cushion and slide cushion into cup.
6. Slide the cup firmly on the shaft to engage the drive key.
7. Turn the power on using power switch (o/-).

Battery Removal

If you have a Deluxe or Executive model, remove the winder insert from the wood case by pulling towards you. To access batteries on the rear of the winder, remove the small Phillips head screw on the battery compartment tab. Push tab to the left and pull compartment door open.

